

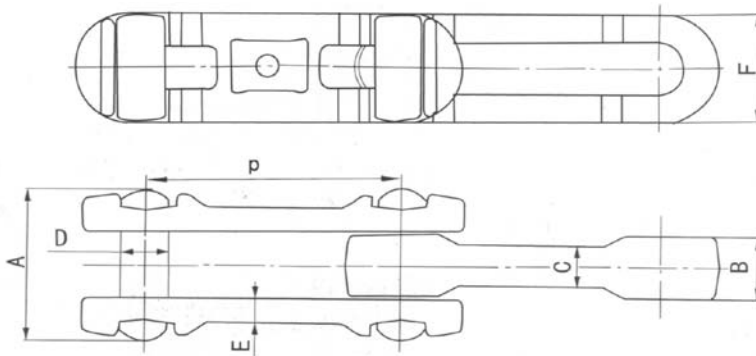
- Drop forged chain



Manufacture code: ASME B29-22-2001

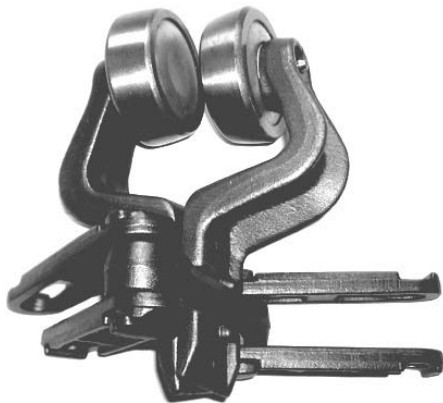
Material: 40Cr, equal to ASTM A29 M 5140

Hardness after quenching: HRC38-42



CHAIN NO.	Dimensions in mm							U.T.S (KN)	Kg/m
	P	A	B	C	D	E	F		
X-348	76,2	46,0	18,8	13,2	12,7	10,4	27,0	110	3,2
X-458	102,4	57,0	25,0	16,0	16,0	12,0	37,0	220	5,2
X-678	152,4	77,0	32,5	20,6	22,0	18,0	51,0	380	9,5
468	102,4	84,0	40,9	29,0	19,1	16,0	48,0	320	11,5
698	152,4	95,3	39,1	25,4	28,0	22,2	64,0	605	17,0

- Trolley

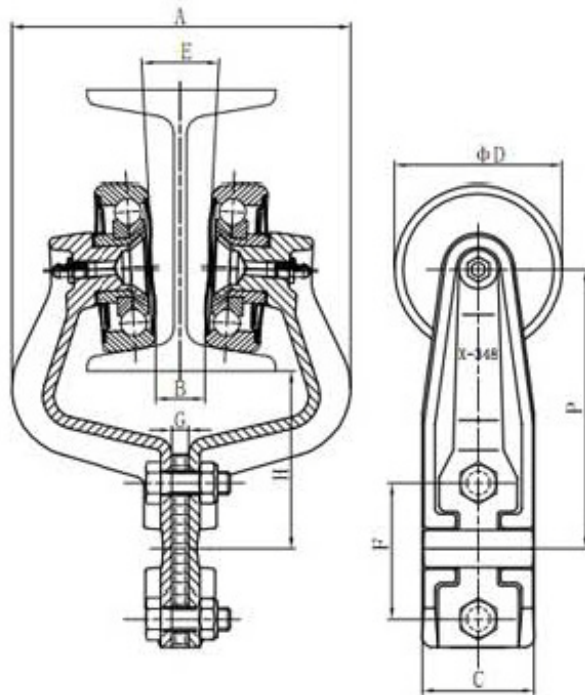


Materials of bearing: G45Cr (special alloyed steel for bearing)

Materials of frames: 20Cr, equal to ASTM A29M 5120,

Hardness of bearing roller: HRC 58-62

All types refer to Frost specifications. we are able to design and produce according to client's specific dimensions.

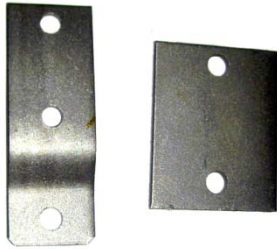


Trolley No.	Dimensions in mm								
	P	H	A	B	C	D	E	F	G
X-348 (for 8 [#] I beam)	100	64	102	14	40	60	4 ⁰	47,8	6
X-348 (for 10 [#] I beam)	100	64	122	16	40	60	6 ⁰	47,8	6
X-458 (H80,short drop)	126	80	138	18	54	80	6 ⁰	54	10
X-458 (H81,short drop)	127	81	138	18	56	80	6 ⁰	54	10
X-458 (H84,short drop)	130	84	138	18	54	80	6 ⁰	54	10
X-458 (extended drop)	150	104	138	18	54	80	6 ⁰	54	10
X-678(H90)	136	90	146	18	86	82	6 ⁰	54	10
X-678(H88,5)	134,5	88,5	146	18	86	82	6 ⁰	54	10

Maximum Loading weight per pair(for hoist system):

348 trolley	458 trolley	678 trolley
100kg	250kg	500kg

- **Attachments**



We offer standard type: H type, I type

Or, we can produce according to any drawings and specifications from customers.

- **Fasteners(bolts, stiff nuts)**



All fasteners property class over grade 8

Available with zinc plating or black oxidation

Usually M8 for X-348 trolley, M10 for X-458,678.