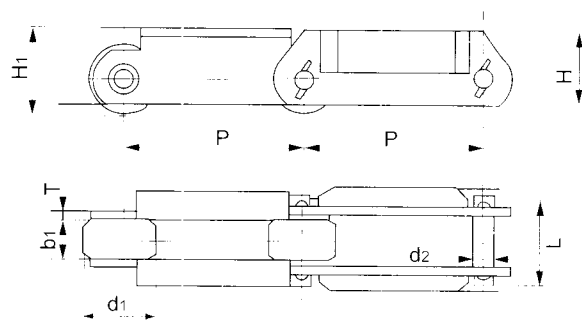


HB型附件  
Attachment of Model HB



HC型附件  
Attachment of Model HC

链号 Chain No.	节距 Pitch P mm	内节内宽 Inner Width of Inner Link $b_1$ (min) mm	滚子直径 Diameter of Roller $d_1$ mm	链条高度 Height of Chain $H_1$ mm	链板高度 Height of Sidebar $H$ mm	链板厚度 Thickness of Sidebar $T$ mm	销轴长度 Length of Pin $L_1$ mm	销轴直径 Diameter of Pin $d_2$ mm	抗拉强度 Tensile Strength $Q$ (min) KN	每米重量 Weight per Meter $q$ kg/m
W100	100	16.1	31.8	36.9	32	3.2	39	7.92	30	
W100	100	22	40	44	40	4.5	44.5	11.10	70	
W150	150	22	40	44	40	4.5	44.5	11.10	70	
W125	125	38.5	60	66	60	6.0	76	11.10	160	
W160	160	38.5	60	66	60	6.0	76	14.27	160	15.8
W200	200	37.1	65	73.5	68	8	88	15.9	190	13.3
W250	250	37.1	65	73.5	68	8	90.5	15.9	190	18.8
W250	250	51.4	80	90	80	10	106	19.10	250	
W300	300	51.4	80	90	80	10	106	19.10	250	
W300	300	57.2	85	95.5	95	10	126	22.20	285	
W250	250	66.7	110	112	102	12.7	136	25.40	485	
W300	300	66.7	100	112	102	12.7	136	25.40	485	
W400	400	66.7	100	112	102	12.7	136	25.40	485	